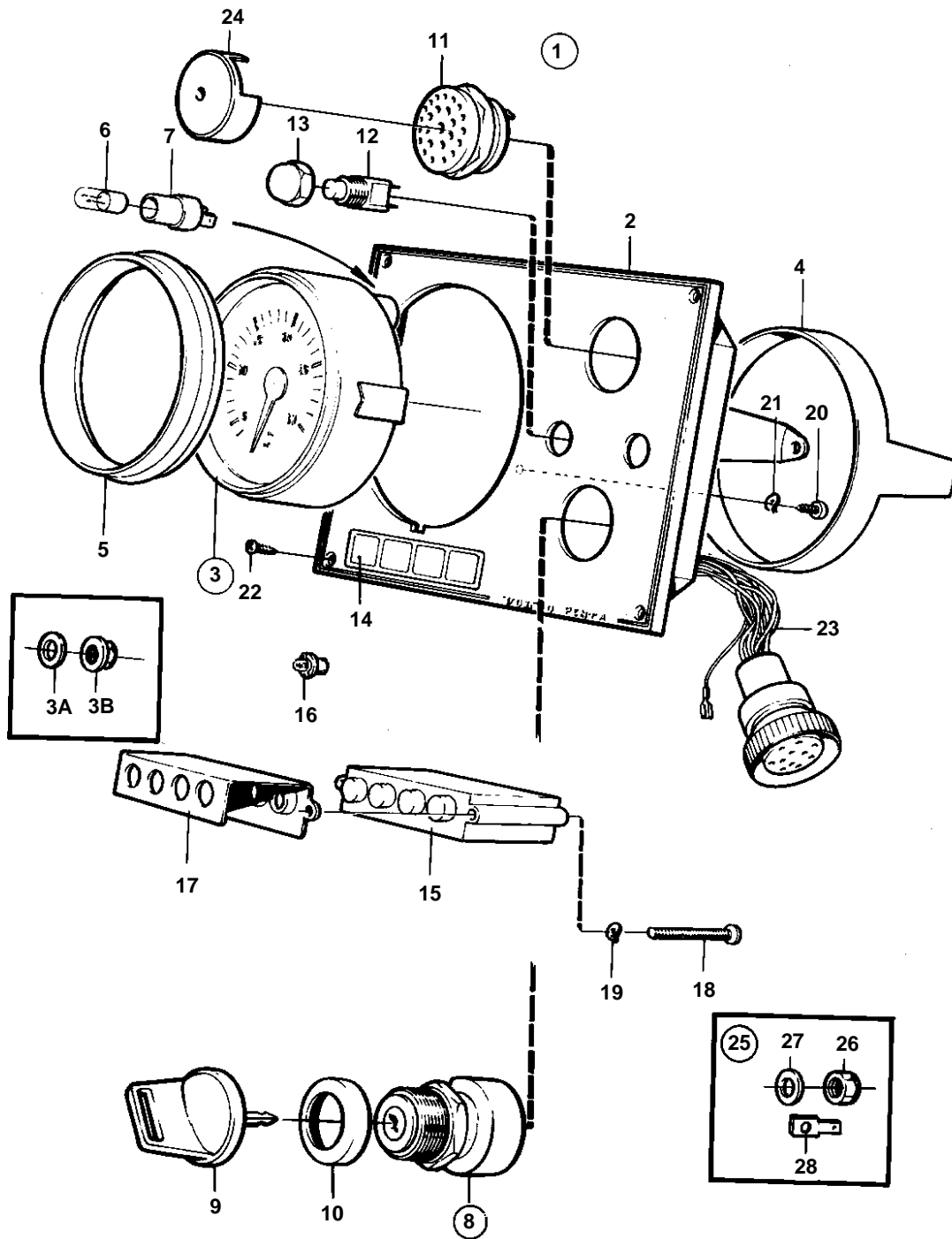


2002,2003,2003T



8295

2002,2003,2003T

REF	PART NO.	QTY	DESCRIPTION	NOTES
1	858871	1	Instrument panel	2002,2003. WHITE COLOURED DECOR STRIPE.
2	858646	1	· Instrument panel	
3	840886	1	· Tachometer, TACHOMETER	REPL BY 858557 SEE GROUP 9
3	858557	1	· Rev counter kit	
3A	941904	1	· · Spring washer	
3B	955779	1	· · Nut	
4	828558	1	· · Attaching ring	
5	858644	1	· Front ring	
6	19923	1	· Bulb	
7	808175	1	· Bulb socket	
8	828778	1	· Starter switch	
9	828676	2	· · Key	
10	1581184	1	· Round nut	
11	828587	1	· Buzzer	
12	828584	1	· Switch	ALARM
	828585	1	· Switch	LIGHTING
13	828586	2	· Button	
14	858645	1	· Symbol strip	
15	828783	1	· Electronic unit	
16	19923	4	· Bulb	
17	828784	1	· Reflector	
18	941615	2	· Screw	
19	941904	2	· Spring washer	
20	949947	1	· Screw	
21	941904	1	· Spring washer	
22	828647	4	· Screw	
23	828648	1	· Cable kit	
24	858795	1	· Protecting casing	
25	876139	X	Conversion kit	
26	955779	1	· Nut	
27	941904	1	· Spring washer	
28	941881	1	· Spade terminal	